

STAR SCREENING MACHINE

TECHNOLOGY FOR A SUSTAINABLE TOMORROW



Screening



APPLICATION

The star screening machine is particularly suitable for use in sawmills for screening of overlengths parts. This generally includes screening of overlengths parts out of sawdust, shavings and wood chips.

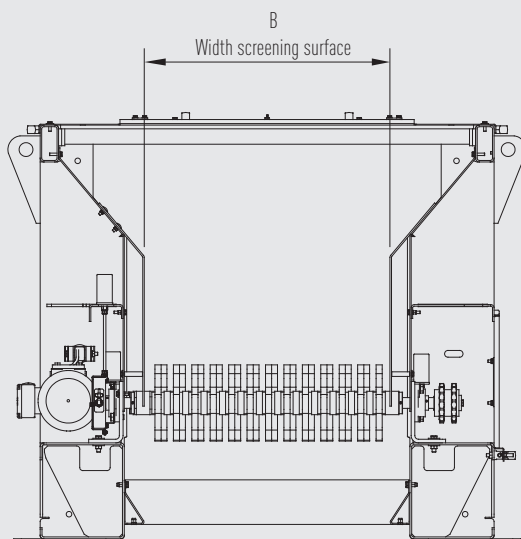
Vecoplan[®]

STAR SCREENING MACHINE

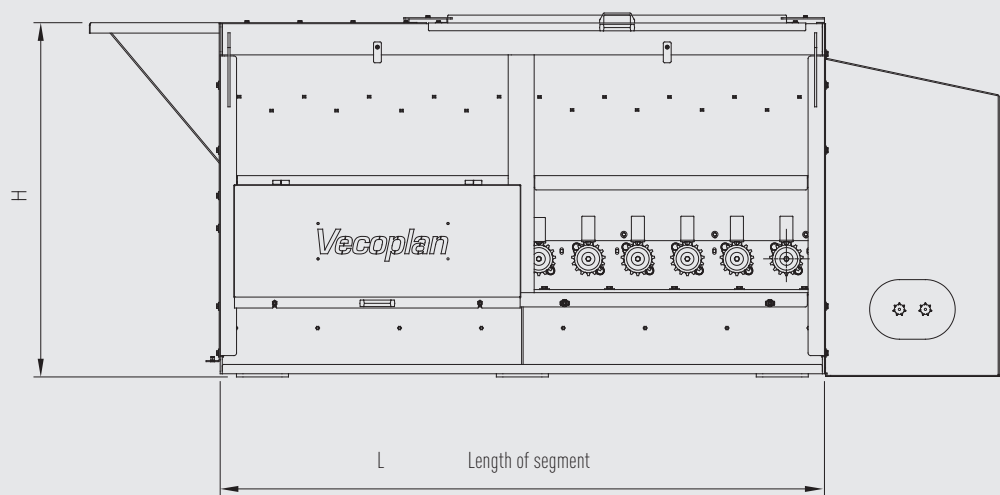
TECHNOLOGY FOR A SUSTAINABLE TOMORROW



Front view



Side view



DETAILS

		Type 600/1500	Type 800/2200	Type 1200/4000
Length screening surface	mm	1.500	2.200	4.000
Width screening surface	mm	600	800	1.200
Height of screen	mm	1.400	1.400	1.400
Screening capacity	m ³ /h	60	120	300
Standard cross cut	mm	50	50	50
Motor power	kW	1 x 3	2 x 3	3 x 3
Weight	kgs	1.200	2.000	4.000

Optionally: Central lubrication system for bearing and chain drive

Subject to technical changes without notice / Dated 09/2010

* Depending on input material and screen perforation